

# HS-217S-B-NB Outdoor-housing



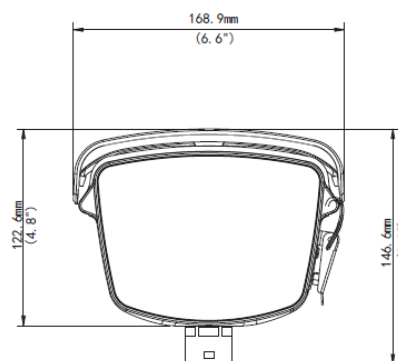
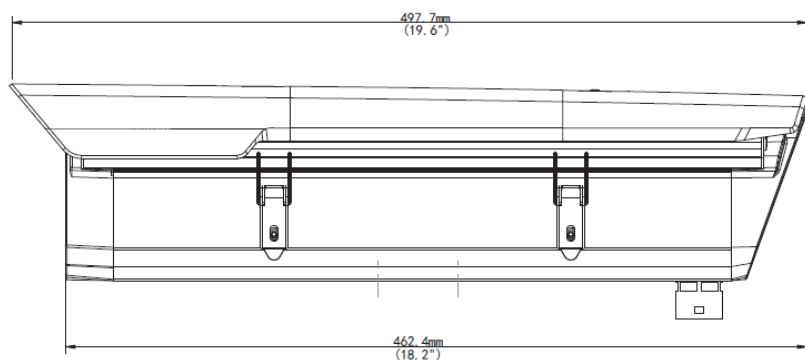
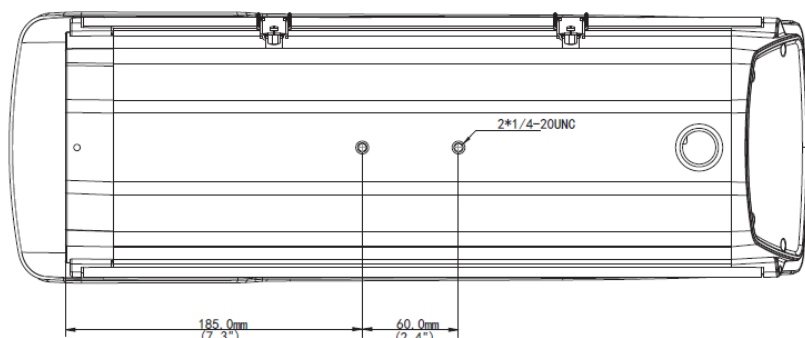
## Features

- Anti-corrosive and ultraviolet-proof material to enhance outdoor durability
- Combined with adjustable sun shade from direct solar radiation
- Easy and flexible installation with side open structure
- IP66-rated

## Specifications

HS-217S-B-NB (including sun shade)	
Application	Indoor\Outdoor
Operating Condition	-20°C~60°C(-4°F ~ 140°F) Humidity ≤95%RH( non-condensing)
Dimensions (L x W x H)	497.7mmx122.6mmx168.9mm
Weight	2.4kg(5.3lb)
Material	Shell:aluminum alloy Sun shade:plastic

## Dimensions



**Zhejiang Uniview Technologies Co., Ltd.**

South Tower, Building 10, Wanlun Science Park, 88 Jiangling Road, Hangzhou, P.R. China 310051

Email: [overseasbusiness@uniview.com](mailto:overseasbusiness@uniview.com); [globalsupport@uniview.com](mailto:globalsupport@uniview.com)

<http://www.uniview.com>

©2019 Zhejiang Uniview Technologies Co., Ltd. All rights reserved.

\*Product specifications and availability are subject to change without notice.